

TONONE

technical specifications

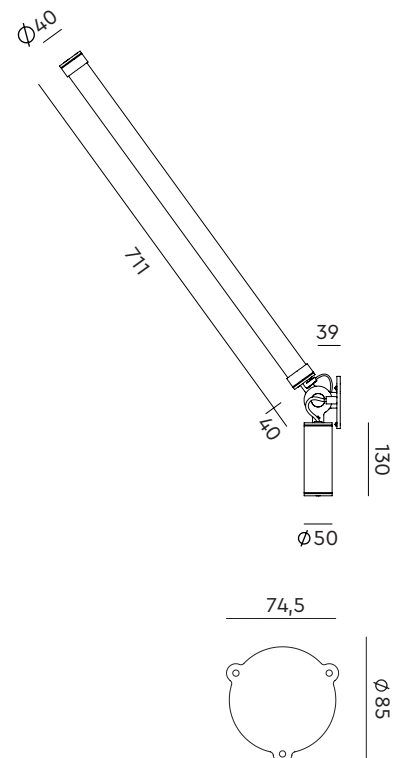
MR. TUBES LED wall driver on fixture

Design by Anton de Groof, 2019



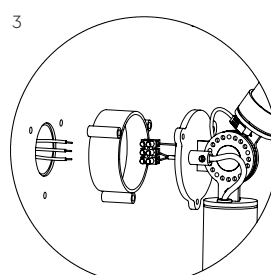
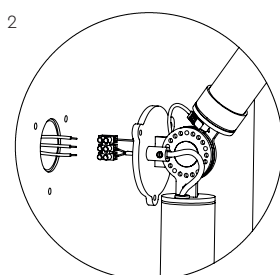
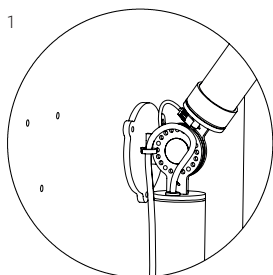
Mr. Tubes is a sturdy lamp design that combines pure functionality with graphical aesthetics. The black- or white coated steel construction holds the led tubes and gives the lamp an industrial look; a straightforward design suitable for various locations. The lamp is dimmable and the adjustable steel cables make it possible to hang the lamp at any height. Mr. Tubes is available as a pendant single, double, floor, wall and chandelier. Or build your own with the Mr. Tubes Led Connect.

Type	Wall lamp
Environment	Indoor
Material	Aluminum & steel
Cord length	Mr Tubes LED with cord 3000 mm Mr Tubes LED install 10 mm
Weight	1,3 kg
Voltage	220-240 V
Watt	8 Watt
IP	20
Lightsource	Integrated LED source
Kelvin / Lumen	2700 K 865 lumen 4000 K 865 lumen
CRI	>90
Dimmable	Phase cut dimmable
Packaging	
Length	80 cm
Width	33 cm
Height	13 cm



TONONE

technical specifications



Installation

1. With cord : including switch and a plug.
2. Install : With terminal block to install directly on a junction box.
3. With optional wall ring.



smokey black
with black cords



pure white
with orange cords

with cord
2700 K

with cord
4000 K

install
2700 K

install
4000 K

4039

4040

4031

4043

4041

4042

4033

4044